

# 'BD' SERIES BALL VALVES

1,000psi [Pn 69] Rated

3,000/6,000 psi [Pn 207/414] Rated

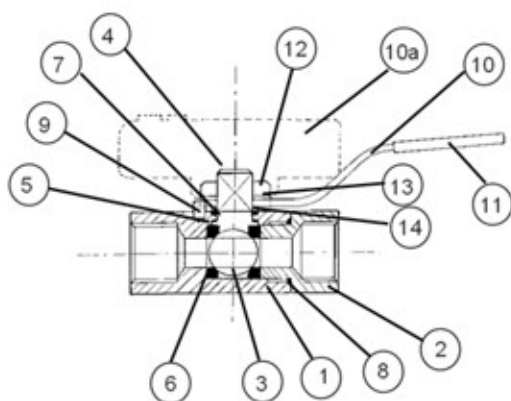
## DESIGN FEATURES

- Robust TWO piece design
- Internally loaded Blow-out proof stem
- Floating ball for positive shut-off
- Low operating torque
- Smooth 1/4 turn action
- 316 ss to NACE Specification
- Different end connections available
- Maintenance free
- Full material traceability
- Choice of Lever, Pointer or 'T' Handles
- Designed for economy
- Locking Kit available



Two Piece

## MATERIALS of CONSTRUCTION - 316 Stainless Steel



ITEM	COMPONENT	MATERIAL
1	BODY	316 S 11
2	END CONNECTOR	316 S 11
3	BALL	316 S 11
4	STEM	316 S 11
5	STEM SEAL	RTFE
6	SEATS	PTFE / PVDF
7	TOP SEAL	RTFE
8	BODY SEAL	PTFE
9	PIN	STAINLESS STEEL
10	LEVER HANDLE	STAINLESS STEEL
10a	POINTER HANDLE	MAZAK 3- Coated
11	HANDLE SLEEVE	PVC
12	NUT	A4 ss
13	WASHER	A4 ss
14	SPACER	316 SS

Sample Part Number **BDHS1015NFS**

1/2" NPT 316 St. St. Ball Valve, 10mm Bore - 3,000 psi Pn 207 Rated fitted with Lever Handle.

### VALVE PART NUMBER and ORDERING TABLE

Valve Series	Bore	Size	Threads	* Material	Handle	Options
BDHA 1,000 psi/Pn 69	10	08 - 1/4"	NF - NPT Female NM - NPT Male	A - Ali-Bronze D - 31803 Duplex	-PH Pointer  -TH StSt 'T' Handle	-LK Locking
BDHS 3,000psi/Pn207		10 - 3/8"	PF - BSPP Female PM - BSPP Male	H - Hasteloy I - Incoloy		
		15 - 1/2"	TF - BSPT Female TM - BSPT Male	J - 6Mo M - Monel		
BDHP 6,000psi/Pn414	13	20 - 3/4"	C2 - 2 FERRULE Imp DS - Din 'S' Metric	S - 316 SS T - Titanium		
	19	25 - 1"	DL - Din 'L' Metric M2 - 2 FERRULE Metric	U - 32760 S.Duplex		

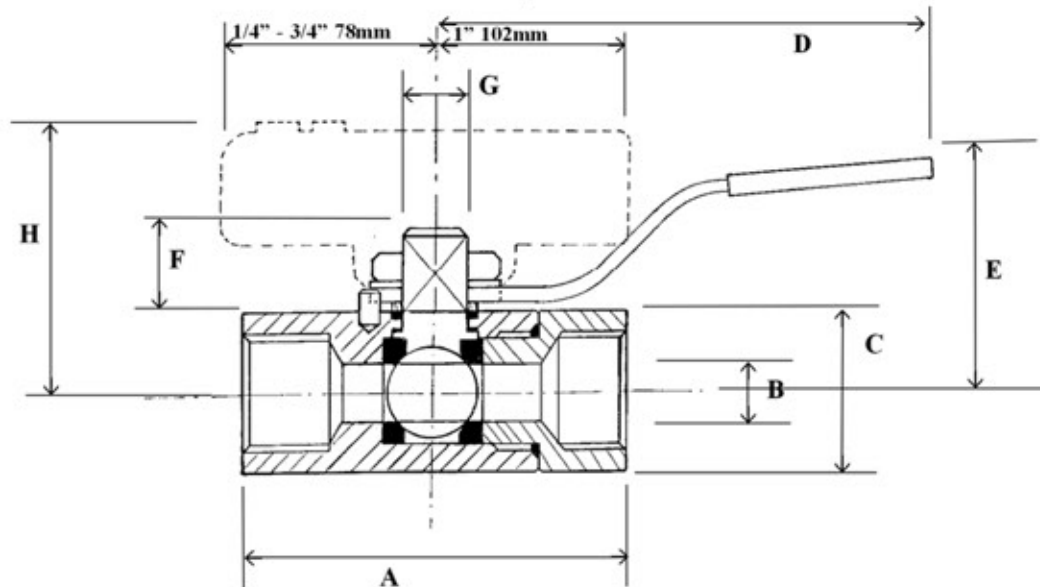
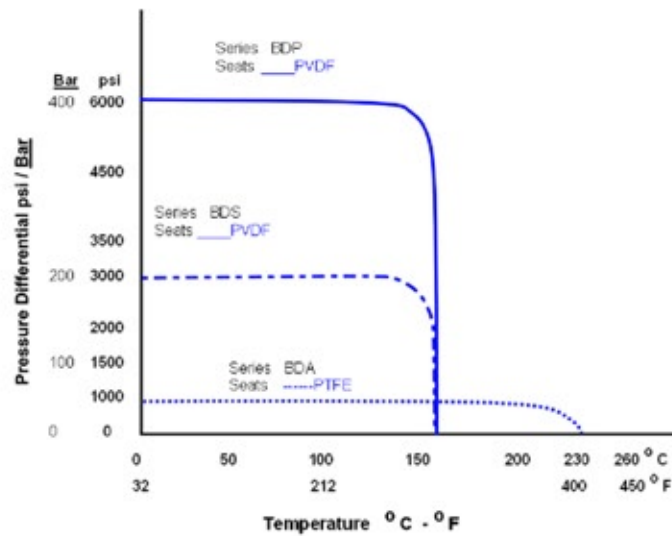
All valves have Stainless Steel Lever Handles as Standard.

BDseries09/09

# 'BD' Series BALL VALVES

## TECHNICAL SPECIFICATIONS SHEET

PRESSURE/TEMPERATURE GRAPH



Valve Size	A		B $\phi$	C A/F	D	E	F	G $\phi$ A/F	H	WEIGHT • Kgs
	NPT	BSPP								
08 - 1/4"	62	62	10	28	115	43	18	3/8" - 7.0	47	0.40
10 - 3/8"	64	64	10	28	115	43	18	3/8" - 7.0	47	0.40
15 - 1/2"	80	79	10	28	115	43	18	3/8" - 7.0	47	0.45
20 - 3/4"	83	81	12.7	35	115	45	18	3/8" - 7.0	49	0.65
25 - 1"	100	99	19	42.5	115	50	18	3/8" - 7.0	52	0.85
									-	

We reserve the right to change specifications in this leaflet due to our continuing programme BDSeries - 01/08