

'BG' Series Multiport GAUGE VALVES

1,000 psi [Pn 69] Rated 6,000 psi [Pn 414] Rated

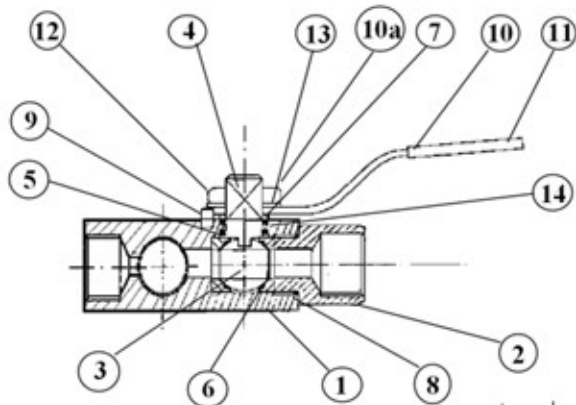
DESIGN FEATURES

- Robust HIGH pressure design
- Internally loaded blow-out proof stem
- Floating ball for positive shut-off
- LOW operating torque
- Smooth 1/4 turn action
- Flexible 2 piece design
- 316 ss to NACE specification
- Wide range of end connections
- Replaceable seats & seals
- Ease of maintenance
- Full material traceability
- Choice of lever or pointer handles
- Locking kit available

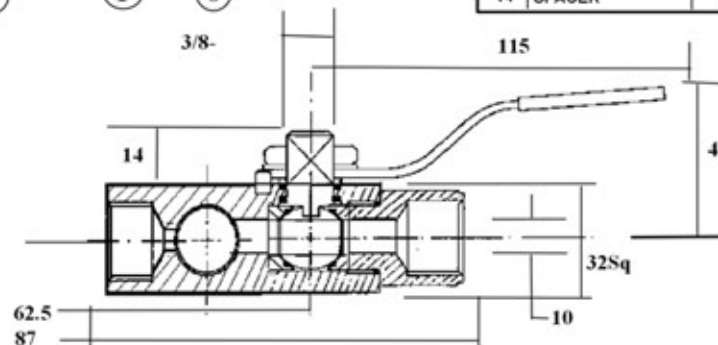


2 Piece
Ball Valve

MATERIALS of CONSTRUCTION - 316 Stainless Steel



ITEM	COMPONENT	MATERIAL
1	BODY	316 S 11 *
2	END CONNECTOR	316 S 11 *
3	BALL	316 S 11 *
4	STEM	316 S 11 *
5	STEM SEAL	RTFE
6	SEA	PTFE / PVDF
7	TOP SEAL	RTFE
8	BODY SEAL	PTFE
9	PIN	STAINLESS STEEL
10	LEVER HANDLE	STAINLESS STEEL
10	POINTER HANDLE	MAZAK 3
11	HANDLE SLEEVE	PVC
12	NUT	A4 ss
13	WASHER	A4 ss
14	SPACER	316 ss



Sample Part Number BGSA1015NM15NFS

1/2" NPT Male Inlet x 3 - 1/2" NPT Female Outlets 316 St. St. Multiport Ball Valve, 10mm Bore - 1,000 psi/Pn 69 Rated fitted with Lever handle.

VALVE PART NUMBER and ORDERING TABLE

Valve Series	Bore	Inlet Size	Threads	* Material	Handle	Options
BGSA 1,000psi/Pn 69	10	08 - 1/4" 10 - 3/8" 15 - 1/2"	NF - NPT Female NM - NPT Male PF - BSPP Female PM - BSPP Male TF - BSPT Female TM - BSPT Male	A - Ali-Bronze D - 31803 Duplex H - Hasteloy I - Incoloy J - 6MO M - Monel S - 316 SS T - Titanium U - 32760 S.Duplex	-PH Pointer -TH StSt 'T' Handle	-LK Locking
BGSP 6,000 psi/Pn414			C2 - 2 FERRULE Imp M2 - 2 FERRULE Metric			

All Valves have Stainless Steel Lever Handles as standard. All THREE Outlet ports are EITHER 1/2" or 1/4" size Valves supplied with vent and blank plugs as standard. BGseries - 09/09