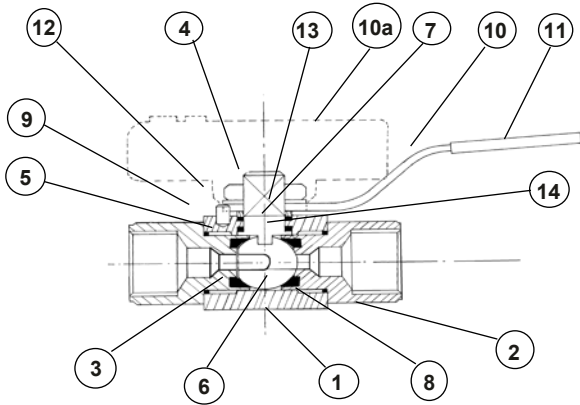
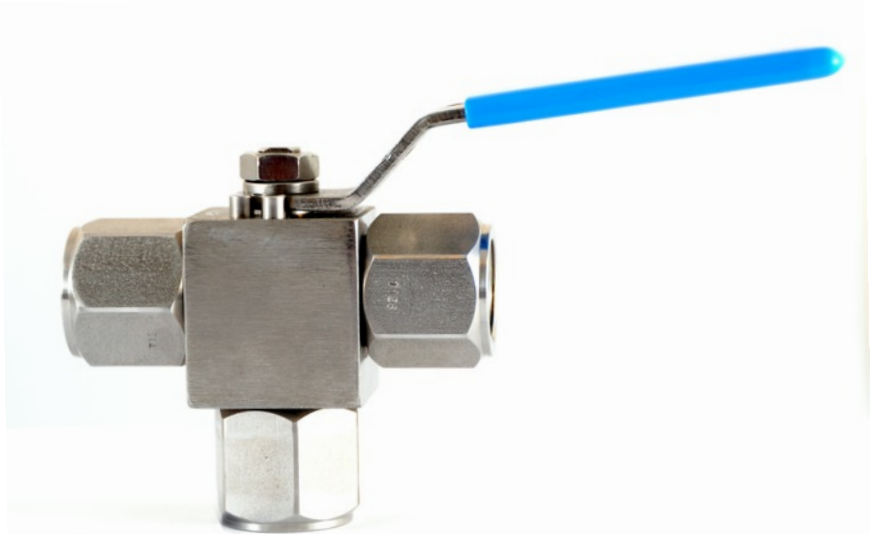


BS-BB Series-3 WAY BALL VALVES

1,000 psi [Pn 69] Rated 6,000 psi [Pn 414] Rated

DESIGN FEATURES

- * Robust HIGH pressure design
- * Internally loaded Blow-out proof stem
- * Floating ball for positive shut-off
- * Flow diversion - Side Entry
- * Divert & Isolate - Bottom Entry
- * Low operating torque
- * Smooth 1/4 turn action
- * Flexible 3 piece design
- * 316 ss to NACE Specification
- * Wide range of end connections
- * Replaceable seats & seals
- * Ease of maintenance
- * Full material traceability
- * Choice of Lever or Pointer Handles
- * Panel Mounting Option
- * Can be easily actuated
- * Locking Kit available



ITEM	COMPONENT	MATERIAL
1	BODY	316 S 11 *
2	END CONNECTORS	316 S 11 *
3	BALL	316 S 11 *
4	STEM	316 S 11 *
5	STEM SEAL	RTFE
6	SEATS	PTFE / PVDF
7	TOP SEAL	PTFE
8	BODY SEAL	PTFE
9	PIN	STAINLESS STEEL
10	LEVER HANDLE	STAINLESS STEEL
10a	POINTER HANDLE	MAZAK 3
11	HANDLE SLEEVE	PVC
12	NUT	A4 ss
13	WASHER	A4 ss
14	SPACER	316 SS

Sample Part Number **BSSA1015NFS**

1/2" NPT 316 St. St.Side Entry 3 way Ball Valve 10mm Bore - 1,000 psi/Pn 69 Rated fitted with Lever handle.

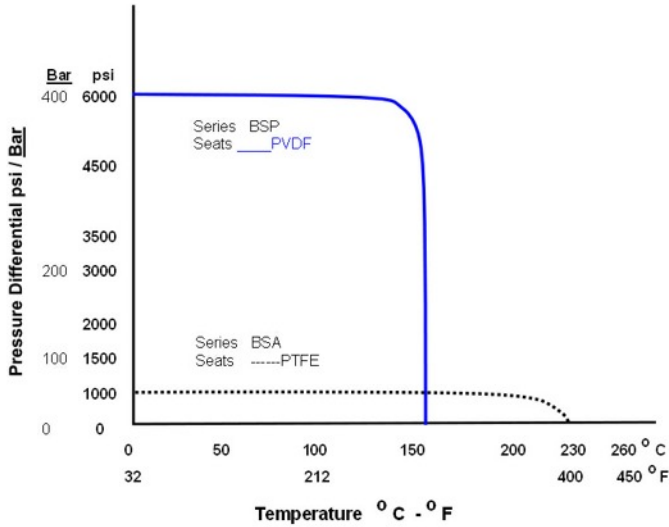
VALVE PART NUMBER and ORDERING TABLE

Valve Series	Bore	Size	Threads	* Material	Handle	Options
SIDE ENTRY BSSA 1,000 psi/Pn69 BSSP 6,000 psi/ Pn 414	10	08 - 1/4"	NF - NPT Female PF - BSPP Female TF - BSPT Female	D - 31803 Duplex H - Hasteloy I - Incoloy J - 6MO M - Monel S - 316 SS U - 32760 S.Duplex T - Titanium	-PH Pointer -TH 316ss 'T' Handle	-SR Spring Return -DA Double Acting -EA Electric -PM Panel Mount -LK Locking -ACT Actuator use -EP Ends Pinned
		10 - 3/8"				
		15 - 1/2"				
BOTTOM ENTRY BBSA 1,000 psi/Pn 69 BSSP 6,000 psi/Pn 414	13	20 - 3/4"				
	19	25 - 1"				

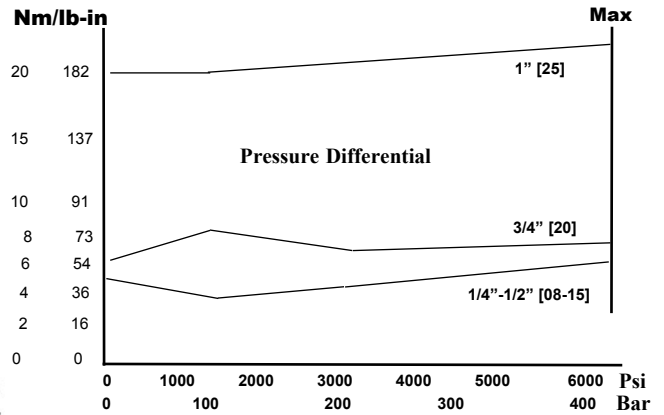
'BS-BB' Series - 3 WAY BALL VALVES

TECHNICAL SPECIFICATIONS SHEET

PRESSURE/TEMPERATURE GRAPH

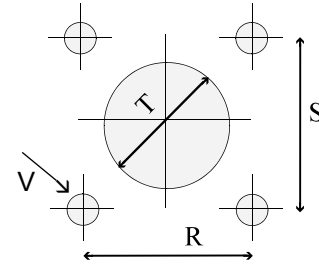


TORQUE INFORMATION



PANEL MOUNT DETAILS *

* Option to be specified when ordering

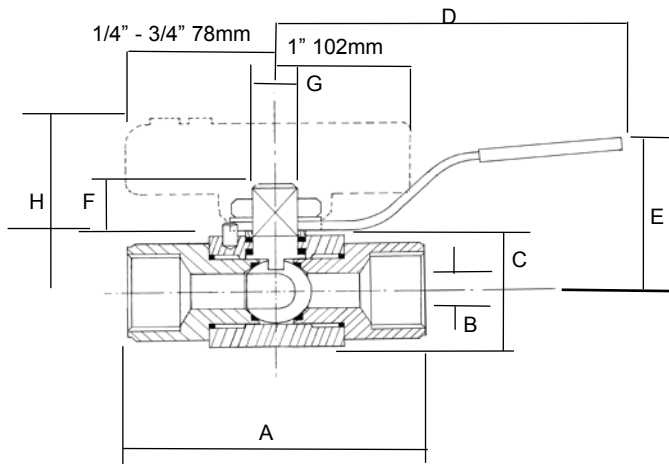


1/4-1/2" VALVE ARE M4 x 6 mm DEEP
3/4" VALVE ARE M5 x 6 mm DEEP
1" VALVE ARE M6 x 8 mm DEEP

'J 1' Dim is for Integral Body Style



'J' Dim is same for Side/Bottom entry



VALVE SIZES and DIMENSION TABLE

[mm] Rounded for clarity

Valve Size	A		B Ø	C Sq	D	E	F	GØ x A/F	H	J		R&S	ISO	TØ	V	WEIGHT Kgs	
	BSPP	TAPER								J 1	TAPER						
08 - 1/4"	71	71	10	32	115	45	14	3/8"-7.00	49	34	34	28.6	25.5	N/A	30	4.5	0.46
10 - 3/8"	75	77	10	32	115	45	14	3/8"-7.00	49	36	37	28.6	25.5	N/A	30	4.5	0.52
15 - 1/2"	83	85	10	32	115	45	14	3/8"-7.00	49	40	41	28.6	25.5	N/A	30	4.5	0.60
20 - 3/4"	90	90	12.7	38	115	50	12	3/8"-7.00	52	45	45	38.1	25.5	F03	30	5.5	0.90
25 - 1"	109	111	20	50	165	65	22	12 x 9.0		54	55	38.1	35.4	F05	40	6.5	1.70

We reserve the right to change specifications stated in this leaflet due to our continuing programme of development. Valve seats are tested at 10% above rated[Max] pressure [BS EN 12266-1]. Using any higher test pressure will damage the seats. Use the valve half open on system tests above rated seat pressure except BOTTOM Entry valves where the RATED pressure is the Maximum Pressure. Dimensions are the same for all pressure ratings.