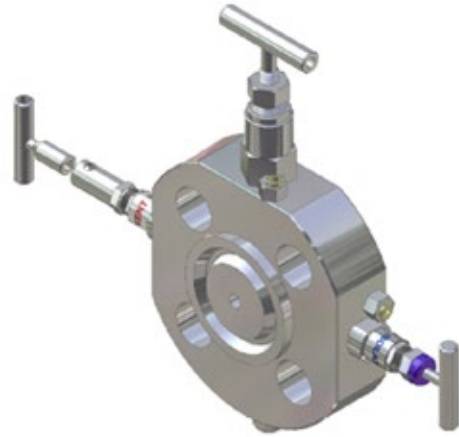


# WAFER Style Needle Valves

**DWF**

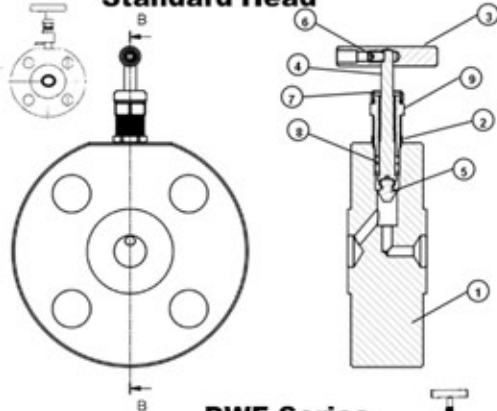
## DESIGN FEATURES

- Wide choice of Flange sizes and Pressure ratings.
- OS & Y Primary Valve or. Standard Head unit.
- Can be Supplied as BLOCK, BLOCK & Bleed and DOUBLE BLOCK & Bleed Styles.
- 2 piece stem with NON-Rotating tip as standard
- Hard TIP for effective shut-off and life
- Low operating torque, Back sealing on the stem
- Smooth 7 turns from OPEN to CLOSE
- 316 ss to NACE Specification
- Adjustable gland packing
- Full material traceability
- Stem Seal below actuating threads to prevent contamination & gauling of threads
- Top Sealing Metal/Metal bonnet seal for pressure tightness even at elevated temperatures



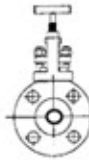
### DWF Series - Block Only

#### Standard Head



#### DWF Series -OS&Y Head

DWF Series can be supplied as Block, Block & Bleed and Double Block & Bleed



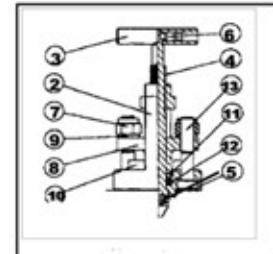
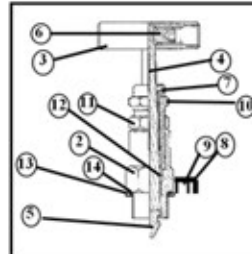
**Fire Tested Design to BS 6755 Pt 2**

#### NS HEAD ASSY

ITEM	COMPONENT	MATERIAL
1	BODY	316 S 11 *
2	LOCK NUT	316 S 11 *
3	HANDLE	316 S 11
4	STEM	316 S 11
5	STEM TIP	17 / 4 PH
6	GRUB SCREW	STAINLESS STEEL
7	DUST CAP	PVC
8	GLAND PACKING	PTFE / GRAPHITE
9	GLAND ADJUSTER	316 S 11

#### OS&Y HEAD ASSY

ITEM	COMPONENT	MATERIAL
1	FLANGE BODY	316 S 11
2	BONNET BOLTS	316 S 11
3	HANDLE	316 S 11
4	STEM	316 S 11
5	STEM TIP	17 / 4 PH
6	GRUB SCREW	STAINLESS STEEL
7	YOKER NUT	STAINLESS STEEL
8	YOKER	316 S 11
9	SPRING WASHER	STAINLESS STEEL
10	CAP SCREW	STAINLESS STEEL
11	GLAND	316 S 11
12	GLAND PACKING	PTFE / GRAPHITE
13	YOKER ADJUST BOLT	STAINLESS STEEL



Part No. DWF D A F 08 25 C B 0 S

1"600lb Serrated Face Flanged Wafer Block Ball Valve [Needle Configuration] & OS&Y Head Unit with PTFE/17-4PH Trim. in 316ss

## VALVE PART NUMBER and ORDERING TABLE

Series	Style	Type	PRESSURE	BORE	Inlet/Outlet Size/Type/Finish	Vent	Material	Options		
DWF	A = Block	A=Needle D=N/N N=N/N/N S=N/N/N/N	F=Flange Rating A=1,000/69 S=3000/207 P=6000/414 X=10000/690	05 08	08	A=C150 B=C300 C=C600 D=C800 E=C900 F=C1500 G=C2500	A= Smooth B= Serrated C=RTJ H=HUB	0=No Vent 1=1/4"NPT 2=1/4BSPP 3=1/2"NPT 4=1/2BSPP 5=3/4"NPT 6=3/4BSPP 7=1"NPT 8=1BSPP	A - All-Bronze C - C/Steel D - Duplex SS H - Hasteloy I - Incoloy M - Monel S - 316 SS X - SPECIAL	
	B=Block & Bleed				15					-AT AntiTamper Head Unit -ATK A/T Key -HW Handwheel 316 SS -Tg Tagging
	C=Double Block & Bleed				20					
	D=Block OS&Y				25					
	E=Block Bleed OS&Y				32					
	F=D Block & Bleed OS&Y				40					
	G=Double Block OS&Y				46					
	H=Double Block OS&Y				50					
	J=D Block+D Bleed				54					
					65					

We reserve the right to change specifications stated in this leaflet due to our continuing programme of development. DMFN - 09/09  
All valves have 'T' Bar handle as standard. Anti-Tamper Keys are always supplied separately, for security