

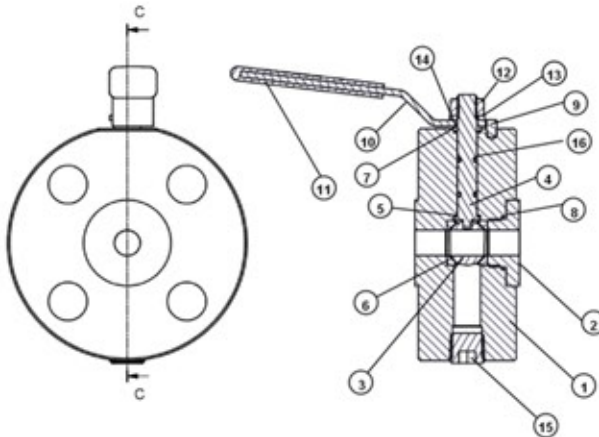
WAFER Style BALL Valves

DESIGN FEATURES



- * Wide choice of Flange sizes and Pressure ratings.
- * Robust HIGH pressure design
- * DESIGNED to be maintained
- * Anti Blow out stem as standard
- * Low operating torque,
- * Floating ball design
- * Smooth turns from OPEN to CLOSE
- * 316 ss to NACE Specification
- * Adjustable gland packing
- * Replaceable seats and seals
- * Locking Kit available
- * Full material traceability
- * Stem Seal below actuating threads to prevent contamination & gauling of threads
- * Can be actuated

MATERIALS of CONSTRUCTION - 316 Stainless Steel



ITEM	COMPONENT	MATERIAL
1	BODY	316 S 11 *
2	INSERT	316 S 11 *
3	BALL	316 S 11 *
4	STEM	316 S 11 *
5	STEM SEAL	RTFE
6	SEATS	PTFE / PVDF
7	TOP SEAL	RTFE
8	BODY SEAL	PTFE
9	PIN	STAINLESS STEEL
10	LEVER HANDLE	STAINLESS STEEL
11	HANDLE SLEEVE	PVC
12	NUT	A4 ss
13	WASHER	A4 ss
14	SPACER	316 SS
15	BODY PLUG	316 SS *
16	STEM SEAL	VITON

Part No. DWFA B F10 20C B 0 S

1"600lb Serrated Face Flanged WaferBlock Ball Valve with PVDE Seats, RTFE Seals in 316ss

VALVE PART NUMBER and ORDERING TABLE

Series - Style	PRESSURE	BORE	Inlet/Outlet Flange Size/Type/Finish		Vent	Material	Options	
DWFA B = BALL	F=Flange Rating	10	15	A=C150 B=C300 C=C600 D=C800 E=C900 F=C1500 G=C2500	A= Smooth B= Serrated C=RTJ	0=No VENT	A - All-Bronze C - C/Steel D - Duplex SS H - Hasteloy I - Incoloy M - Monel S - 316 SS X - SPECIAL	Tg Tagging
		13	20					
		19	25					
		25	32					
		32	40					
		38	46					
		50	50					
		54	65					

We reserve the right to change specifications stated in this leaflet due to our continuing programme of development. (DWFB - 01/05)
All valves have 316ss Lever Handle as standard. Do not repeat the OUTLET PART NUMBER as is same as INLET