

# 'MS2R' Series Remote Manifolds

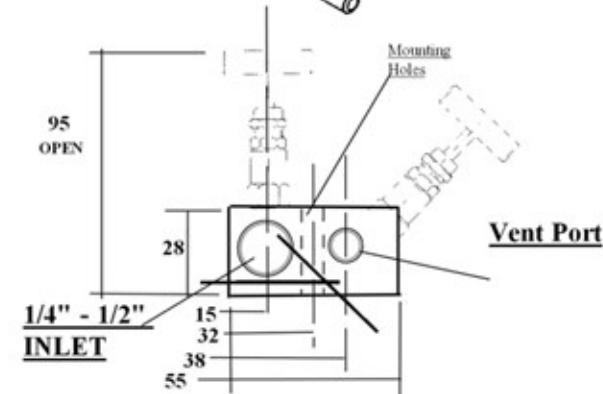
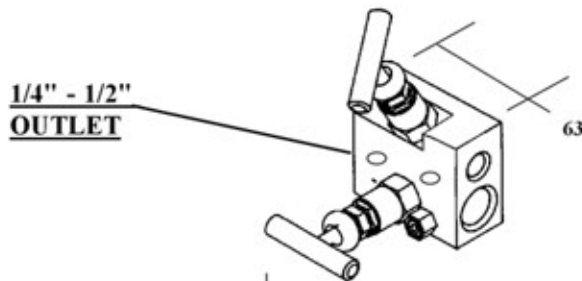
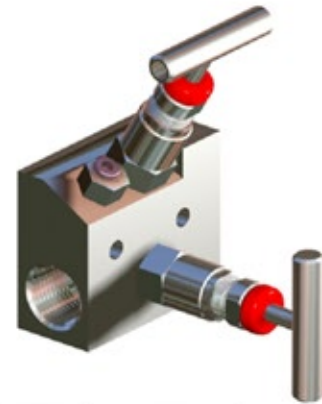
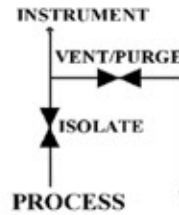
# MS2R

## 6,000 psi [Pn 414] Rated 10,000 psi [Pn 690] Rated

### DESIGN FEATURES

- \* Top Sealing bonnet seal
- \* Robust HIGH pressure design
- \* DESIGNED to be maintained
- \* NON-Rotating tip as standard
- \* Hard TIP for effective shut-off and life
- \* Low operating torque
- \* Back sealing on the stem
- \* 316 ss to NACE Specification
- \* Angled Vent Head, ideal for wall mounting
- \* Mounting Holes as standard
- \* Adjustable gland packing
- \* Vent Port with socket pressure plug as standard
- \* Full material traceability
- \* Stem Seal below actuating threads to prevent contamination & gauling of threads
- \* Metal/Metal bonnet seal for pressure tightness even at elevated temperatures
- \* Choice of Economy or Standard Head - [6K Only]

2 Valve Remote mount Manifold for Isolation and Venting.



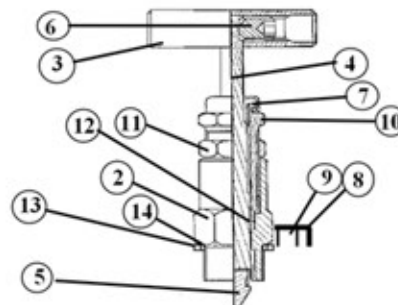
Mounting Holes are 6.5mm on 32mm Centres

Weight = 0.80 Kgs

Sample Part Number. - MS2RP0515NF1S

1/2" NPT[F] 316ss 2 Valve Remote Manifold, 5mm Bore - 1/4" NPT Vent Port.

ITEM	COMPONENT	MATERIAL
1	BODY	316 S 11 *
2	BONNET HOUSING	316 S 11 *
3	HANDLE	316 S 11
4	STEM	316 S 11
5	STEM TIP	17 / 4 PH
6	GRUB SCREW	STAINLESS STEEL
7	DUST CAP	PVC
8	RETAINING CAM	STAINLESS STEEL
9	RETAINING SCREW	STAINLESS STEEL
10	GLAND ADJUSTER	316 S 11
11	LOCK NUT	316 S 11
12	GLAND PACKING	PTFE / GRAPHOIL
13	BONNET GASKET	316 S 11
14	BONNET SEAL	V PTFE



### VALVE PART NUMBER and ORDERING TABLE

Valve Series	Orifice	Size	Threads	Vent	* Material	Options
MS2RP 6,000 psi/Pn414	05	08 - 1/4" 15 - 1/2"	NF - NPT-female PF - BSPP-female TF - BSPT-female	1=1/4"NPT	A - All-Bronze D - Duplex SS H - Hasteloy I - Incoloy M - Monel S - 316 SS	AT - AntiTamper G - Graphoil HW - Handwheel-316 TK - Soft Tip [PEEK] TK - Soft Tip [PVDF]
MS2RX 10,000 psi/Pn690						

We reserve the right to change specifications stated in this leaflet due to our continuing programme of development. MS2R-09/09  
All valves have 'T' Bar handle as standard.