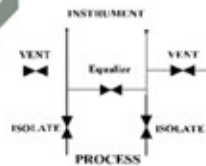
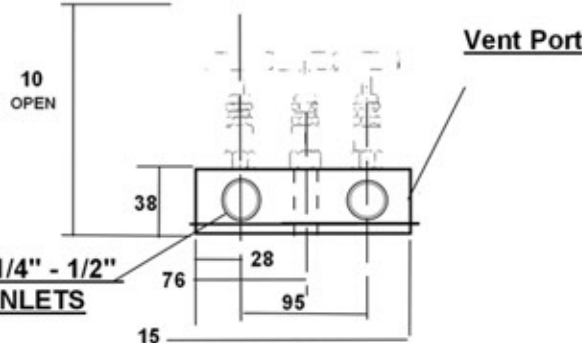
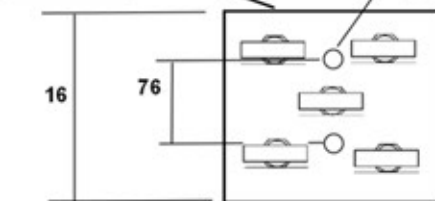


'MS5B' Series Remote MANIFOLD VALVES10,000 psi [Pn 690] Rated ~~6,000~~ 4000 psi [Pn 408] Rated

A 5 Valve Manifold, Block Style for Isolation, Equalisation and Vent with all heads on the same plane. For use in wall/panel mounting applications.

**1/4" - 1/2" OUTLETS**

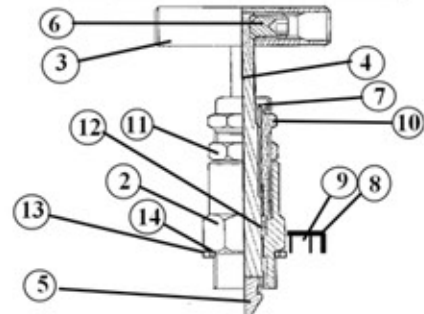
Mounting Holes are 8.5mm on 76mm Centres

Appx Weight = 7.80 Kgs

DESIGN FEATURES

- * Top Sealing Bonnet style
- * Robust HIGH pressure design
- * DESIGNED to be maintained
- * NON-Rotating tip as standard
- * Hard TIP for effective shut-off and life
- * Low operating torque
- * Smooth 6 turns from OPEN to CLOSE
- * Back sealing on the stem
- * 316 ss to NACE Specification
- * Mounting Holes as standard
- * Adjustable gland packing NS Head
- * Vent Port with socket pressure plug as standard
- * Full material traceability
- * Stem Seal below actuating threads to prevent contamination & gauling of threads
- * Metal/Metal bonnet seal for pressure tightness even at elevated temperatures
- * Choice of ENV/LNV & SNV Heads - [ENV 6K Only]

ITEM	COMPONENT	MATERIAL
1	BODY	316 S 11 *
2	BONNET HOUSING	316 S 11 *
3	HANDLE	316 S 11
4	STEM	316 S 11
5	STEM TIP	17 / 4 PH
6	GRUB SCREW	STAINLESS STEEL
7	DUST CAP	PVC
8	RETAINING CAM	STAINLESS STEEL
9	RETAINING SCREW	STAINLESS STEEL
10	GLAND ADJUSTER	316 S 11
11	LOCK NUT	316 S 11
12	GLAND PACKING	PTFE / GRAPHOIL
13	BONNET GASKET	316 S 11
14	BONNET SEAL	V PTFE

**Sample Part Number MS2BP0515NF1SW**

1/2" NPT 316ss 5 Valve Remote Block manifold 5mm bore - 6,000 psi/Pn414 1/4" NPT Vent,

VALVE PART NUMBER and ORDERING TABLE

Valve Series	Orifice	Size	Threads	Vent	*Material	Options
MS2BP 6,000 psi/Pn414	05	08 - 1/4" 15 - 1/2"	NF - NPT-female PF - BSPP-female TF - BSPT-female	1=1/4"NPT	D - 31803 Duplex H - Hasteloy I - Incoloy M - Monel S - 316 SS	G - Graphoil HW - Handwheel-316 LHW - Lockable Handwheel-316 Tg - Tagging Tf - Soft Tip [PEEK] Tk - Soft Tip [PVDF]
MS2BX 10,000 psi/Pn690						

We reserve the right to change specifications stated in this leaflet due to our continuing programme of development. All valves

MS5B 09/09