

'NE' Series NEEDLE VALVES

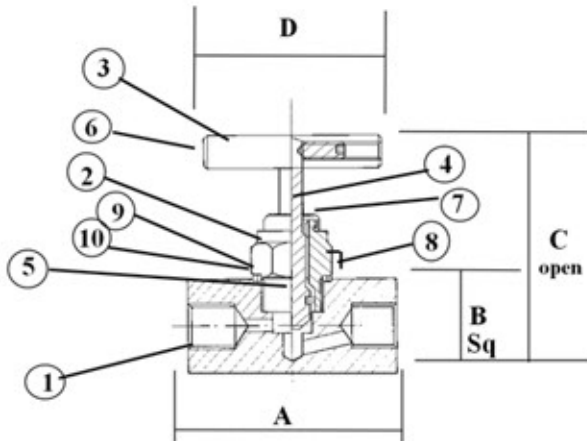
6,000 psi [Pn 414] Rated

DESIGN FEATURES

- * Top Sealing Bonnet style
- * Robust HIGH pressure design
- * DESIGNED with ECONOMY in mind
- * 17-4 PH One piece Stem/Tip
- * Low operating torque
- * Smooth 4 turns from OPEN to CLOSE
- * Back sealing on the stem
- * 316 ss to NACE Specification
- * Wide range of end connections
- * Compact size
- * Maintenance free
- * Full material traceability
- * Stem Seal below actuating threads to prevent gauling & contamination
- * Metal/Metal bonnet seal for pressure tightness even at elevated temperatures



MATERIALS of CONSTRUCTION - 316 Stainless Steel



*'A' dimension is + 5mm for Male/Female Valves

ITEM	COMPONENT	MATERIAL
1	BODY	316 S 11 *
2	BONNET HOUSING	316 S 11 *
3	HANDLE	316 S 11 *
4	STEM	17-4 PH *
5	STEM SEAL	VITON
6	GRUB SCREW	STAINLESS STEEL
7	DUST CAP	PVC
8	RETAINING PIN	STAINLESS STEEL
8a	RETAINING CAM	STAINLESS STEEL
8b	RETAINING SCREW	STAINLESS STEEL
9	BONNET GASKET	STAINLESS STEEL
10	BONNET SEAL	V - PTFE

Valve Size	A	B	C	D	Wt Kgs
08-1/4"	50	25	63	45	0.22
10-3/8"	50	25	66	45	0.25
15-1/2"	60	28	69	45	0.35

Sample Part Number **NE2SP0508NFS**

1/4" NPT 316 St. St. Needle Valve, 5mm Bore - 6,000 psi/Pn 414 Rated.

VALVE PART NUMBER and ORDERING TABLE

Valve Series	Bore	Size	Threads	* Material	Options
NE2SP 6,000 psi/Pn414	05	8 -1/4" 10 - 3/8" 15 -1/2"	NF- NPT [F] NM- NPT [M] PF - BSPP [F] PM- BSPP [M] TF- BSPT [F] TM- BSPT [M] C1 - SINGLE FERRULE C2 - TWIN FERRULE SW - Socket Weld Ends B* - Butt Weld Ends	D - 31803 Duplex H - Hasteloy I - Incoloy J - 6Mo M - Monel S - 316 SS T - Titanium U - 32760 S.Duplex	

We reserve the right to change specifications stated in this leaflet due to our continuing programme of development.
All valves have 'T' Bar handle as standard.

NE2S - 19/09