

# 'NL' Series NEEDLE VALVES

6,000psi [Pn 414] Rated 10,000 psi [Pn 690] Rated

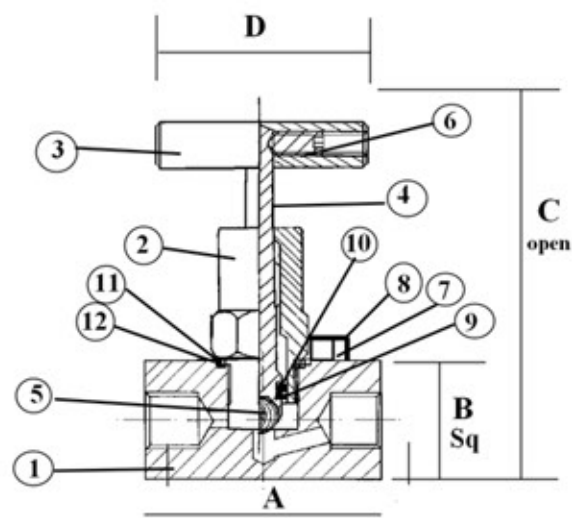
LO-Tork<sup>®</sup> Head Assembly for 10,000psi/690 Bar Max with effortless operation



### DESIGN FEATURES

- Low operating torque
- HIGH pressure design
- DESIGNED to be maintenance free
- Two piece stem with NON-Rotating tip
- CERAMIC Ball TIP for effective shut-off and life
- Smooth 6 turns from OPEN to CLOSE
- 316 ss to NACE Specification
- Wide range of thread forms available
- Compact size
- Panel mounting option
- Full material traceability
- Stem Seal below actuating threads to prevent contamination & gauling of threads
- Metal/Metal bonnet seal for pressure tightness even at elevated temperatures

### MATERIALS of CONSTRUCTION - 316 Stainless Steel



ITEM	COMPONENT	MATERIAL
1	BODY	316 S 11 *
2	BONNET HOUSING	316 S 11 *
3	HANDLE	316 S 11
4	STEM	316 S 11
5	BALL TIP	CERAMIC
6	GRUB SCREW	STAINLESS STEEL
7	RETAINING SCREW	STAINLESS STEEL
8	RETAINING CAM	STAINLESS STEEL
9	STEM SEAL	Viton
10	STEM PACKING	PTFE
11	BONNET GASKET	STAINLESS STEEL
12	BONNET SEAL	PTFE

Valve Size	A	B	C	D	Wt Kgs
08-1/4"	50	25	92	50	0.35
10-3/8"	50	25	92	50	0.35
15-1/2"	60	28	95	50	0.40

'A' dimension is + 5mm for Male/Female Valves

Sample Part Number **NL2SP0508NFS**

1/4" NPT 316 St. St. Needle Valve, 5mm Bore - 6,000 psi/Pn 414 Rated.

VALVE PART NUMBER and ORDERING TABLE					
Valve Series	Bore	Size	Threads	* Material	Options
NL2SP 6,000 psi/Pn414	05	08 - 1/4"	NF- NPT [F]	S - 316 SS	HW - Handwheel PM - Panel Mounting TG - Tagging
		10 - 3/8"	NM- NPT [M] PF - BSPP [F]		
		15 - 1/2"	PM- BSPP [M] TF- BSPT [F] TM- BSPT [M]		
NL2SX 10,000 psi/Pn690					

We reserve the right to change specifications stated in this leaflet due to our continuing programme of development. All valves are fitted with 'T' Bar handle as standard.

NL2S -09/09



Colson X-Cel Ltd, Park Works, Park Road, Elland, West Yorkshire HX5 9HN United Kingdom  
Tel: +44 (0) 1422 377 999 Fax: +44 (0) 1422 377 333  
Web: www.colson.co.uk Email: sales@colson.co.uk



Cert No LRQ 0960294