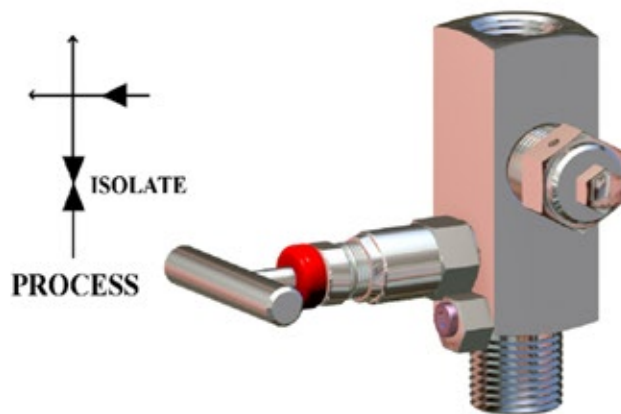


# NSG 'NSG' Series NEEDLE VALVES

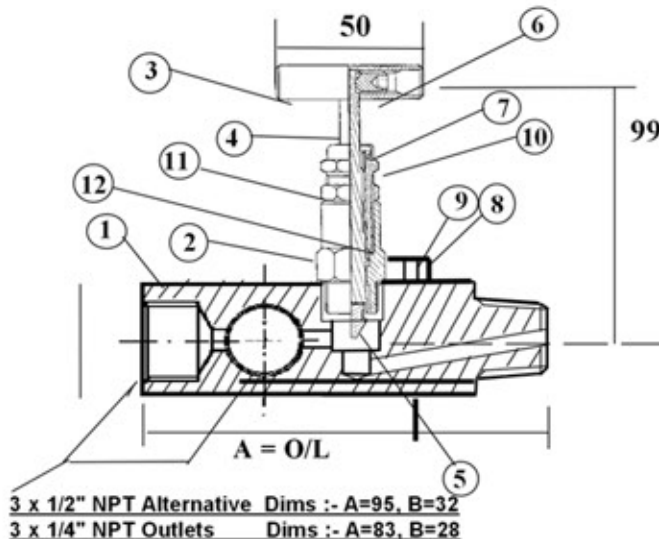
6,000 psi [Pn 414] Rated 10,000 psi [Pn 690] Rated



## DESIGN FEATURES

- \* Robust HIGH pressure design
- \* DESIGNED to be maintained
- \* Two piece stem with NON-Rotating tip
- \* TIP Hardened for effective shut-off and life
- \* Low operating torque
- \* Smooth 4 turns from OPEN to CLOSE
- \* Back sealing on the stem
- \* 316 ss to NACE Specification
- \* Wide range of thread forms available
- \* 3 Outlet Ports for Gauge, Vent & Calibrate
- \* Adjustable gland packing
- \* Full material traceability
- \* Stem Seal below actuating threads to prevent contamination & gauling of threads
- \* Metal/Metal bonnet seal for pressure tightness even at elevated temperatures
- \* Venting and Blank Plugs supplied as standard

## MATERIALS of CONSTRUCTION - 316 Stainless Steel



| ITEM | COMPONENT       | MATERIAL        |
|------|-----------------|-----------------|
| 1    | BODY            | 316 S 11 *      |
| 2    | BONNET HOUSING  | 316 S 11 *      |
| 3    | HANDLE          | 316 S 11        |
| 4    | STEM            | 316 S 11        |
| 5    | STEM TIP        | 17 / 4 PH       |
| 6    | GRUB SCREW      | STAINLESS STEEL |
| 7    | DUST CAP        | PVC             |
| 8    | RETAINING CAM   | STAINLESS STEEL |
| 9    | RETAINING SCREW | STAINLESS STEEL |
| 10   | GLAND ADJUSTER  | 316 S 11        |
| 11   | LOCK NUT        | 316 S 11        |
| 12   | GLAND PACKING   | PTFE / GRAPHOIL |
| 13   | BONNET GASKET   | 316 S 11        |
| 14   | BONNET SEAL     | PTFE            |

### Sample Part Number NSGSP0515NM15NFS

1/2" NPT Male Inlet x 3 - 1/2" NPT Female Outlets 316 St. St. Gauge Valve, 5mm Bore - 6,000 psi/Pn 414 Rated.

| VALVE PART NUMBER and ORDERING TABLE |      |           |  |  |   |  |  |
|--------------------------------------|------|-----------|--|--|---|--|--|
| Valve Series                         | Bore | Size      | Threads                                      | * Material   | Options   |  |  |
| NSGSP<br>6,000 psi/Pn414             | 05   | 08 - 1/4" | NF- NPT [F]<br>NM- NPT [M]                   | A - Ali-Bronze<br>C - C/Steel<br>D - 31803 Duplex<br>H - Hasteloy<br>I - Incoloy<br>J - 6Mo<br>M - Monel<br>S - 316 SS<br>T - Titanium<br>U - 32760 S.Duplex | G - Graphoil<br>HW - Handwheel<br>AT - Anti-Tamper<br>TG - Tagging<br>TM - Metering tip |  |  |
| NSGSX<br>10,000 psi/Pn690            |      | 10 - 3/8" | PF - BSPP [F]<br>PM- BSPP [M]                |  |   |  |  |
|                                      |      | 15 - 1/2" | TF- BSPT [F]<br>TM- BSPT [M]                 |  |   |  |  |
|                                      |      | 20 - 3/4" | SW - Socket Weld Ends<br>B* - Butt weld Ends |  |   |  |  |

We reserve the right to change specifications stated in this leaflet due to our continuing programme of development.  
All valves have 'T' Bar handle as standard.

NSG -09/09