

'MS2B' Series Remote MANIFOLD VALVES

6,000 psi [Pn 414] Rated 10,000 psi [Pn 690] Rated

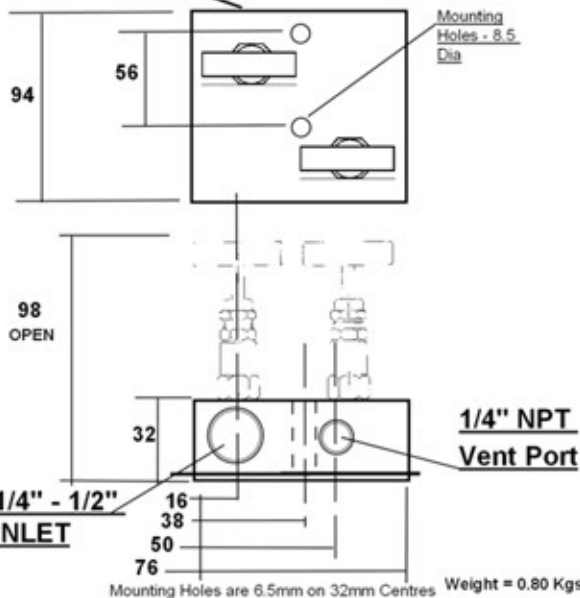
MS2B

A 2 Valve Manifold, Block Style for Isolation and Vent with all heads on the same plane. For use in wall mounting applications.

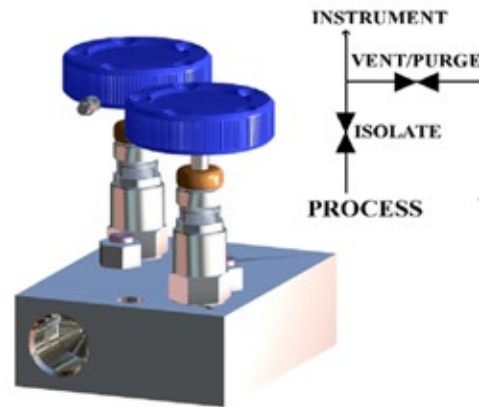
DESIGN FEATURES

- Robust HIGH pressure design
- DESIGNED to be maintained
- NON-Rotating tip as standard
- Hard TIP for effective shut-off and life
- Low operating torque
- Smooth 6 turns from OPEN to CLOSE
- Back sealing on the stem
- 316 ss to NACE Specification
- Mounting Holes as standard
- Adjustable gland packing NS Head
- Vent Port with socket pressure plug as standard
- Full material traceability
- Stem Seal below actuating threads to prevent contamination & gauling of threads
- Metal/Metal bonnet seal for pressure tightness even at elevated temperatures
- Choice of ENV/LNV & SNV Heads - [ENV 6K Only]

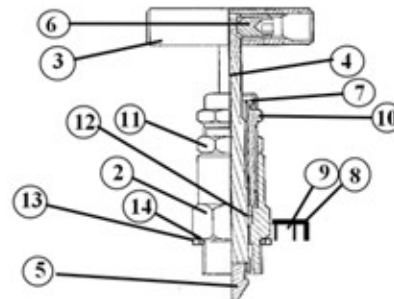
1/4" - 1/2"
OUTLET



Mounting Holes are 6.5mm on 32mm Centres Weight = 0.80 Kgs



| ITEM | COMPONENT | MATERIAL |
|------|-----------------|-----------------|
| 1 | BODY | 316 S 11 * |
| 2 | BONNET HOUSING | 316 S 11 * |
| 3 | HANDLE | 316 S 11 |
| 4 | STEM | 316 S 11 |
| 5 | STEM TIP | 17 / 4 PH |
| 6 | GRUB SCREW | STAINLESS STEEL |
| 7 | DUST CAP | PVC |
| 8 | RETAINING CAM | STAINLESS STEEL |
| 9 | RETAINING SCREW | STAINLESS STEEL |
| 10 | GLAND ADJUSTER | 316 S 11 |
| 11 | LOCK NUT | 316 S 11 |
| 12 | GLAND PACKING | PTFE / GRAPHOIL |
| 13 | BONNET GASKET | 316 S 11 |
| 14 | BONNET SEAL | V PTFE |

**Sample Part Number MS2BP0515NF1SW**

1/2" NPT 316ss 2 Valve Remote Block manifold 5mm bore - 6,000 psi/Pn414 1/4" NPT Vent.

VALVE PART NUMBER and ORDERING TABLE

| Valve Series | Orifice | Size | Threads | Vent | *Material | Options |
|---------------------------|---------|------------------------|---|-----------|--|---|
| MS2BP 6,000 psi/Pn414 | 05 | 08 - 1/4" 15 - 1/2" | NF - NPT-female PF - BSPP-female TF - BSPT-female | 1=1/4"NPT | D - 31803 Duplex H - Hasteloy I - Incoloy M - Monel S - 316 SS | G - Graphoil HW - Handwheel-316 LHW - Lockable Handwheel-316 Tg - Tagging Tf - Soft Tip [PEEK] Tk - Soft Tip [PVDF] |
| MS2BX 10,000 psi/Pn690 | | | | | | |

We reserve the right to change specifications stated in this leaflet due to our continuing programme of development. All valves

MS2B 09/09