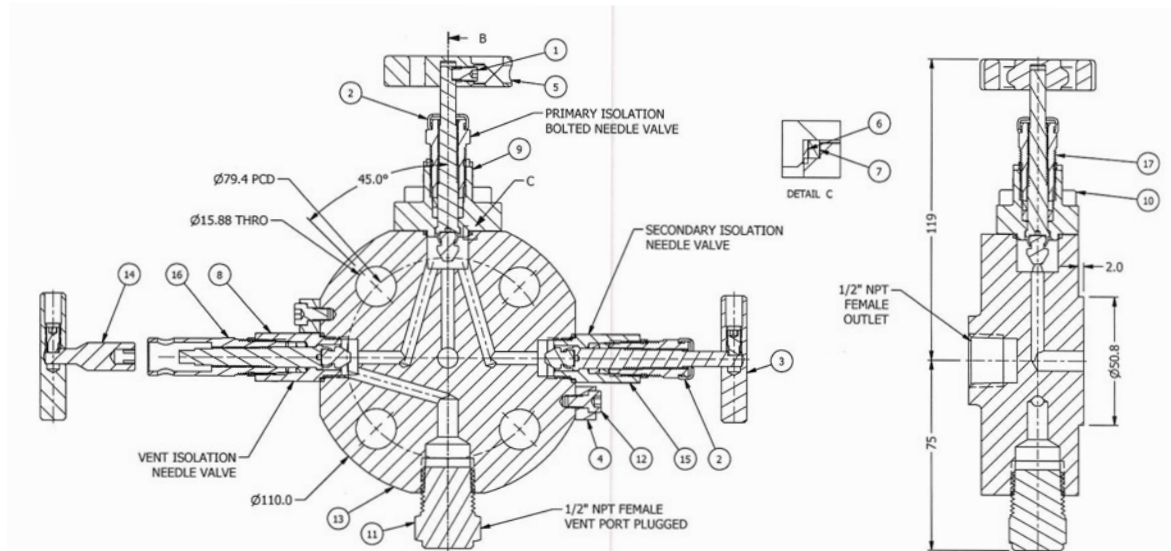
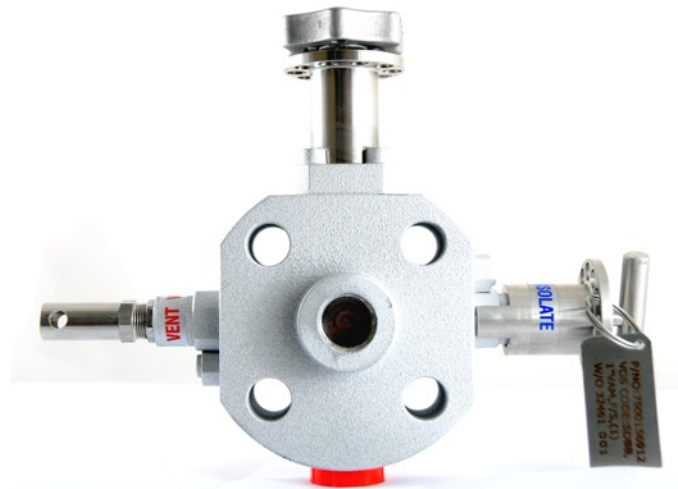


# 'DMF' Series MONO Flange VALVES

## Mono Flange Valves with Bolted Bonnet Primary Head Unit

### DESIGN FEATURES

- \* Top Sealing Bonnet style
- \* Wide choice of Flange sizes and Pressure ratings.
- \* Robust HIGH pressure design.
- \* DESIGNED to be maintained.
- \* 2 piece stem with NON-Rotating tip as standard.
- \* Hard TIP for effective shut-off.
- \* Low operating torque, Back sealing on the stem
- \* Smooth 4-5 turns from OPEN to CLOSE.
- \* Vent valve fitted Anti-tamper head as standard.
- \* 316ss to NACE Specification
- \* Choice of Block, Block & Bleed or Double Block & Bleed
- \* Adjustable gland packing
- \* Vent Port with socket pressure plug or Tube fitting
- \* Full material traceability
- \* Stem Seal below actuating threads to prevent contamination & gauling of threads
- \* Metal / Metal bonnet seat



Part No. DMFMNF0825AA15NF1S

1"600lb Serrated Face Flanged Double Block & Bleed Valve [Bolted Bonnet Needle/ Needle/ Needle Configuration] with PTFE/17-4PH Trim.

| VALVE PART NUMBER and ORDERING TABLE |                    |      |                        |         |                                   |      |   |   |                          |
|--------------------------------------|--------------------|------|------------------------|---------|-----------------------------------|------|---|---|--------------------------|
| Series - Style                       | PRESSURE           | BORE | Inlet Size/Type/Finish |         | Outlet Size/Type                  | Vent | * Material  | Options   |                          |
| <b>DMFMN</b> N/N/N                   | F=Flange<br>Rating | 05   | 08                     | A=C150  | A= Smooth<br>B= Serrated<br>C=RTJ | 08   | 1=1/4"NPT<br>2=1/4BSPP<br>3=1/2"NPT<br>4=1/2BSPP<br>5=3/4"NPT<br>6=3/4BSPP<br>7=1"NPT<br>8=1"BSPP | AT Anti Tamper<br>Head unit<br>ATK A/T Key<br>HW Handwheel<br>316ss<br>Tg Tagging |                          |
|                                      |                    |      | 10                     | A=C150  |                                   |      |   |   | NF=NPT(F)<br>NM=NPT(M)   |
|                                      |                    |      | 15                     | B=C300  |                                   |      |   |   | PF=BSPP(F)<br>PM=BSPP(M) |
|                                      |                    |      | 20                     | C=C600  |                                   |      |   |   | TF=BSPT(F)<br>TM+BSPT(M) |
|                                      |                    |      | 25                     | D=C800  |                                   |      |   |   |                          |
|                                      |                    |      | 32                     | E=C900  |                                   |      |   |   |                          |
|                                      |                    |      | 40                     | F=C1500 |                                   |      |   |   |                          |
|                                      |                    |      | 46                     | G=C2500 |                                   |      |   |   |                          |
|                                      |                    |      | 50                     |         |                                   |      |   |   |                          |
|                                      |                    |      | 54                     |         |                                   |      |   |   |                          |

We reserve the right to change specifications stated in this leaflet due to our continuing programme of development. All valves have 'T' Bar handle as standard. Anti-Tamper Keys are always supplied separately, for security.